

3006200024

VSP-122P

Main Station Batteryless Telephone System 12-Way



DESCRIPTION

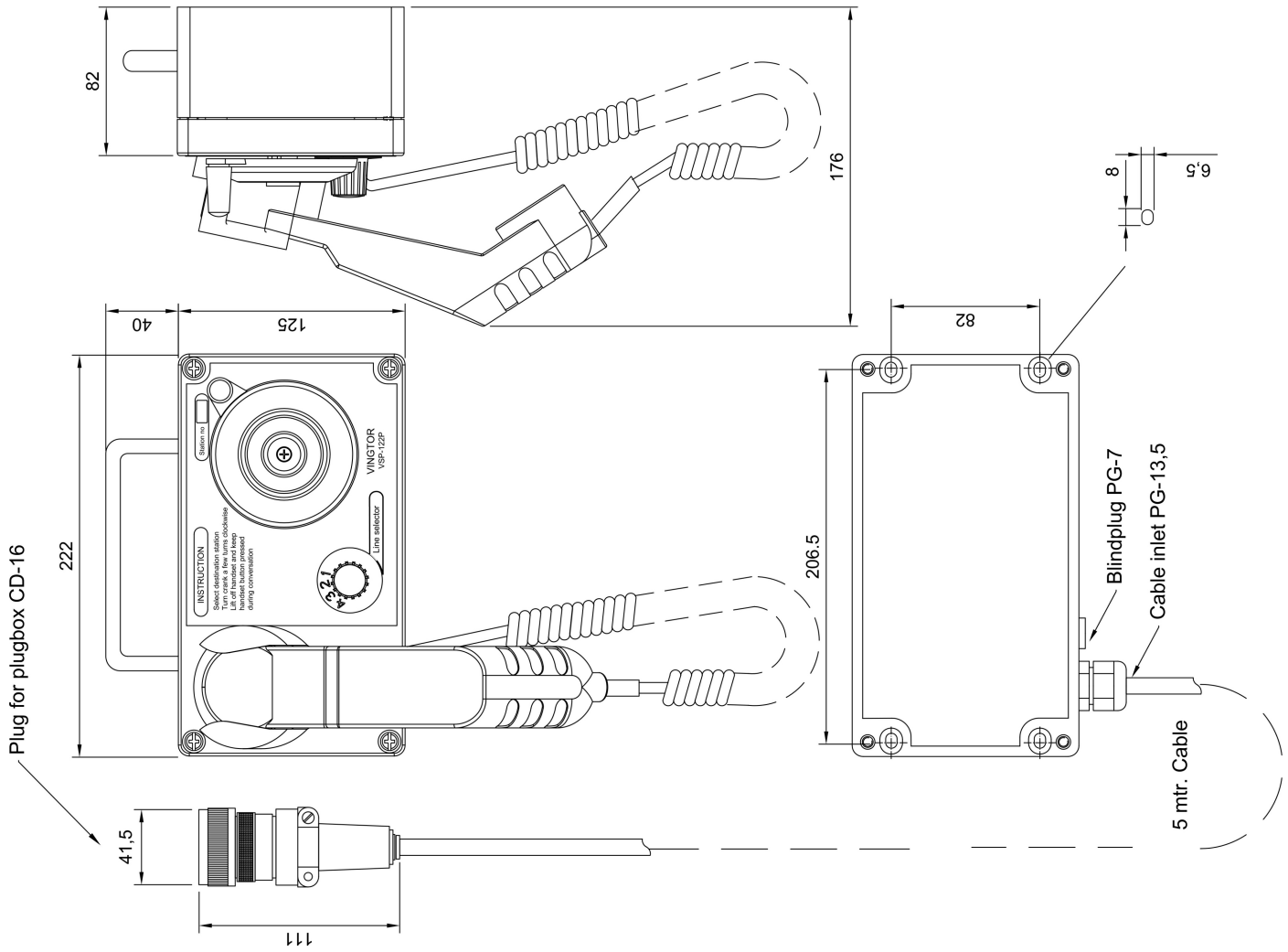
- Portable substation
- 12 extensions selector
- Waterproof housing
- Carry handle and 5 meter cable with 16-pin Amphenol plug
- Used together with CD-16 at bridge wings and open deck areas

SPECIFICATIONS

GENERAL

Connections	CD-16 Plug box
Housing	ROSE Box (AlSi12)
Handset	RA-250 w/ holder
Colour	Grey RAL7001 / Handset black
IP rating	IP-65
Weight	2.6 kg
Dimensions (WxHxD)	220 x 220 x 185 mm (with handset)
Operating temperature range	-25°C to 55°C

TECHNICAL DIMENSIONS



ACCESSORIES



CD-16

Item number: 1020600982



IRR-24

Item number: 3006202045



IRR-VSP-220

Item number: 1020600995



VSP-36-PEL-A

Item number: 1020600771



VSP-36-PEL-A/20

Item number: 1020600772



CD-4

Item number: 1020159000



VSP-36-PELP-A

Item number: 1020600773



VSP-36-PELP-A/20

Item number: 1020600774



VSP-36-PELP-A/25

Item number: 1020600775

